

AI-331 intaball

lever ball valve for gas



**UK
CA**
0086

CE
2797



altecnic

AI-331 intaball lever ball valve for gas - compression ends



Application

The Altecnic Intaball lever ball valve for gas service with compression ends is the ideal isolation valve, for use in copper pipe systems.

Suitable for isolating individual outlets, or providing isolation around gas meters and other equipment, should maintenance be required.

Design

The Intaball full bore brass ball valves for gas are lever operated through 90°, with bi-directional flow.

Hard chrome plated ball for increased wear resistance.

Compact design, with PTFE body seats for reliable isolation.

Anti blow-out stem.

The valves are designed for high flow rates with minimum pressure drops.

Supplied with compression ends complying with BS EN 1252-2 for use with R250 (half hard) copper tube.

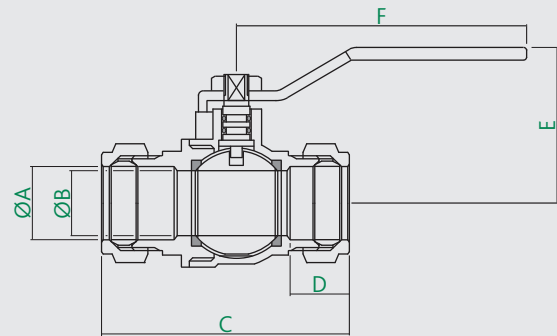
Valve are supplied with a yellow lever sleeve for visual indication of gas service.

Construction Details

Component	Material	Grade
Body	Brass - nickel plated	BS EN 12165 CW617N
End connection	Brass - nickel plated	BS EN 12165 CW617N
Ball seat	PTFE	
Ball	Brass - chrome plated	BS EN 12164 CW617N
Stem	Brass	BS EN 12164 CW617N
Gland 'O' ring	Viton rubber	
Compression nut	Brass	BS EN 12164 CW617N
Olive	Brass	BS EN 12449 CW508LM

Product Code	Size	Connection
AI-331115	15 mm	copper x copper
AI-331122	22 mm	copper x copper
AI-331128	28 mm	copper x copper
AI-331135	35 mm	copper x copper
AI-331142	42 mm	copper x copper
AI-331154	54 mm	copper x copper

Dimensions



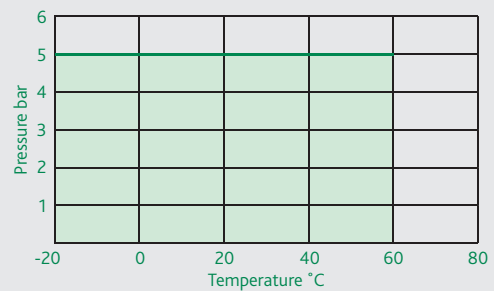
Size	A	B*	C	D	E	F	kg
DN15	15	15	68	17.5	43	90	0.21
DN20	22	20	77.5	19	47	90	0.33
DN28	28	25	91	21.5	61.5	115	0.54
DN35	35	32	104	23.5	70.5	130	0.93
DN42	42	40	116	25	77	130	1.29
DN54	54	50	137	29.5	85	150	2.17

* exceeds the full bore diameter circle specified in BS EN 13547

Technical Data

Conforms to:	BS EN 13547
Approved to:	BS EN 331:2015
Temperature Range to BS EN 331:2015	-20 to 60°C
Max. Pressure	5 bar (MOP 5)
PED directive classification Group 1 Gas SEP	
Approved for gas families 1, 2 and 3	

Pressure - Temperature Diagram



Installation

Valves are simple to install with just two compression joints to make but must be installed by a suitably qualified engineer.

For gas service ensure a valve with a yellow lever sleeve is fitted

© Patents & Design Altecnic 2021

Altecnic Ltd retains all rights (including patents, designs and copyrights, trademarks and any other intellectual property rights) in relation to all information provided on or via the website, brochures or any other documents, including all texts, graphics and logos, contained on the website, in brochures or in any other documents published in the name of or on behalf of Altecnic Ltd in any form, without prior written consent of Altecnic Ltd.

Altecnic Ltd Mustang Drive, Stafford, Staffordshire ST16 1GW

T: +44 (0)1785 218200 E: sales@altecnic.co.uk

Registered in England No: 02095101

altecnic.co.uk

AL 024 01-04-20

E & O.E

© Altecnic Limited. 2012

ALTECNIC™